



Micro Mini™ Nozzle



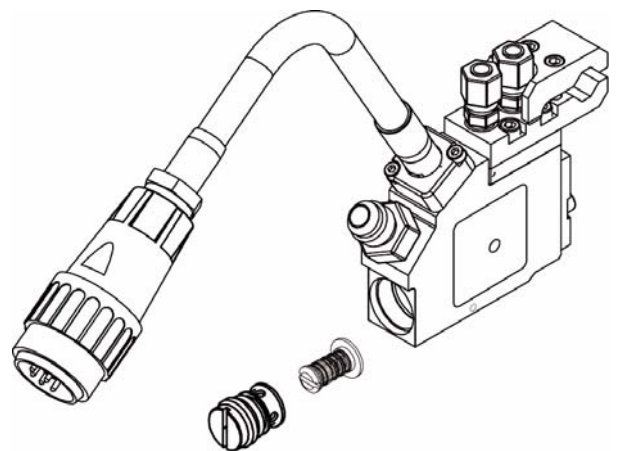
-Innovative Self-Cleaning Nozzle Virtually Eliminates Adhesive Stringing and Production Downtime

-Extremely Long Operating Life Design

-Air Open / Air Closed Design Provides Accurate and Uniform Adhesive Patterns and Beads

-Micro Design Allows Installation in Compact Configurations

- Minimum adhesive pressure 41 bar / 600 psi (must have at least 27 bar / 400 psi for valve to operate)
- Maximum adhesive pressure 68 bar / 1,000 psi
- Minimum adhesive viscosity 600 cps
- Maximum adhesive viscosity 1,500 cps
- Specifications are based on 1,000 cps Adhesive



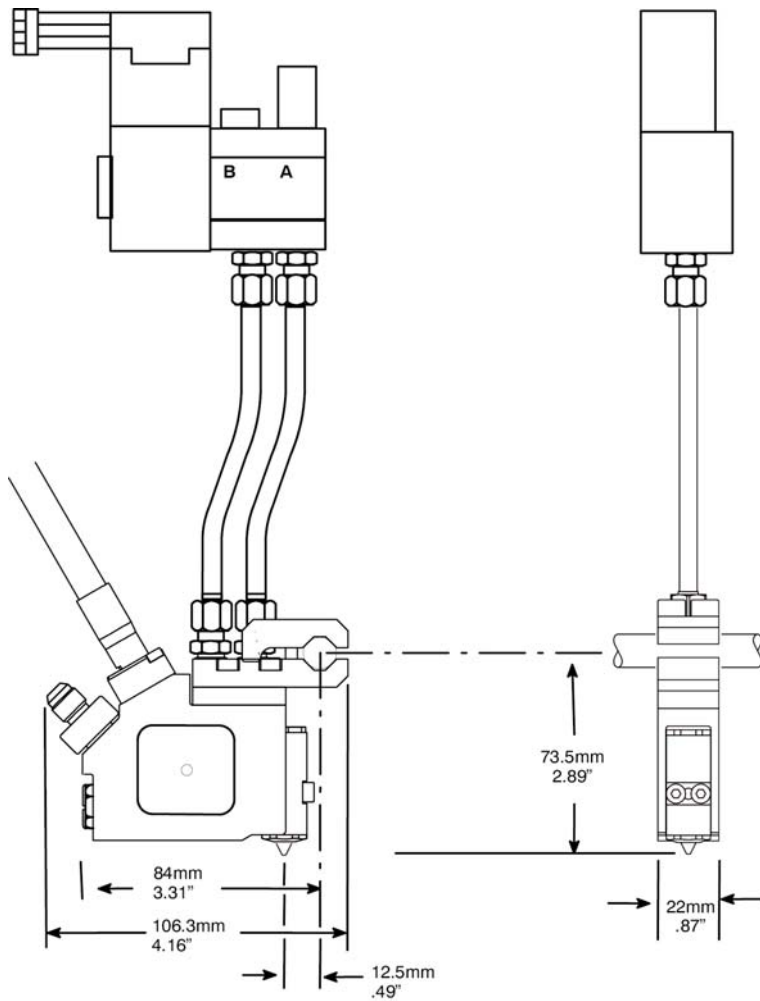
- Maximum operating temperature 200°C / 390°F
- Minimum operating pneumatic pressure 5 bar / 74 psi
- Maximum operating pneumatic pressure 7 bar / 100 psi

Glue Machinery Corporation™

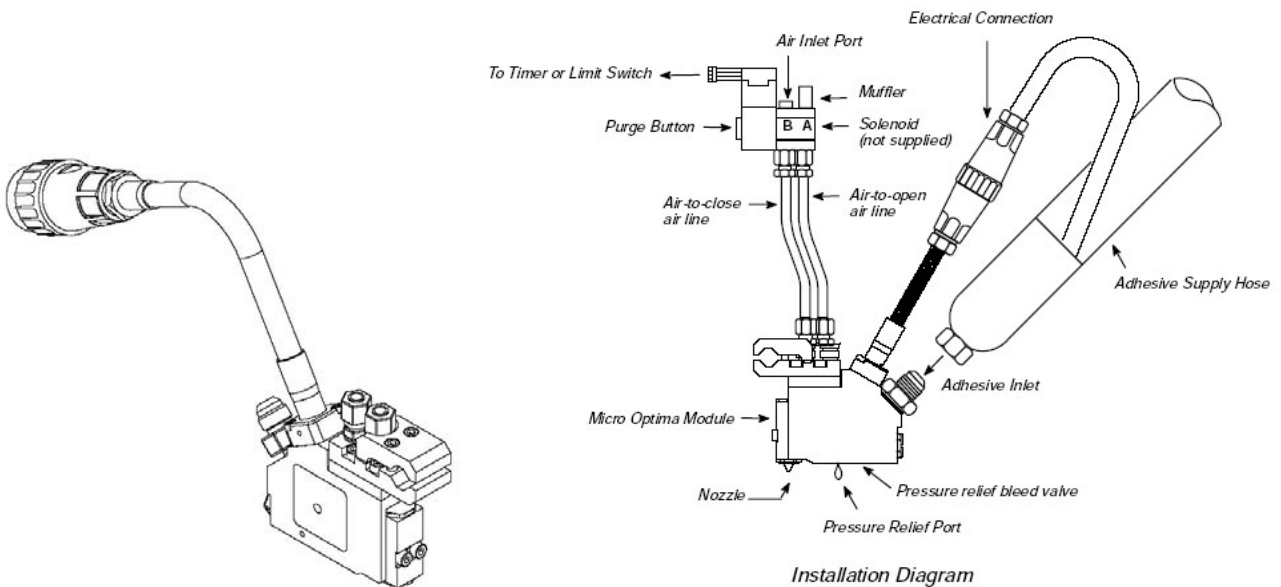
4234 Boston Street, Baltimore, MD 21224

888-202-2468 • Fax: 410-761-5127 • E-mail: info@gluemachinery.com

www.gluemachinery.com



- Maximum on/off cycle speed 5,000 cycles per minute (400 series MAC® valve)
- Built In Heated Filter Traps Contaminants Before they can reach the Nozzle
- Pressure Bleed Safety Feature with Captive Screw
- Modular Feature Permits Fast Change-Out
- Factory-set Needle Stroke For Consistent Maximum Performance
- Water Resistant



Glue Machinery Corporation™

4234 Boston Street, Baltimore, MD 21224

888-202-2468 • Fax: 410-761-5127 • E-mail: info@gluemachinery.com

www.gluemachinery.com